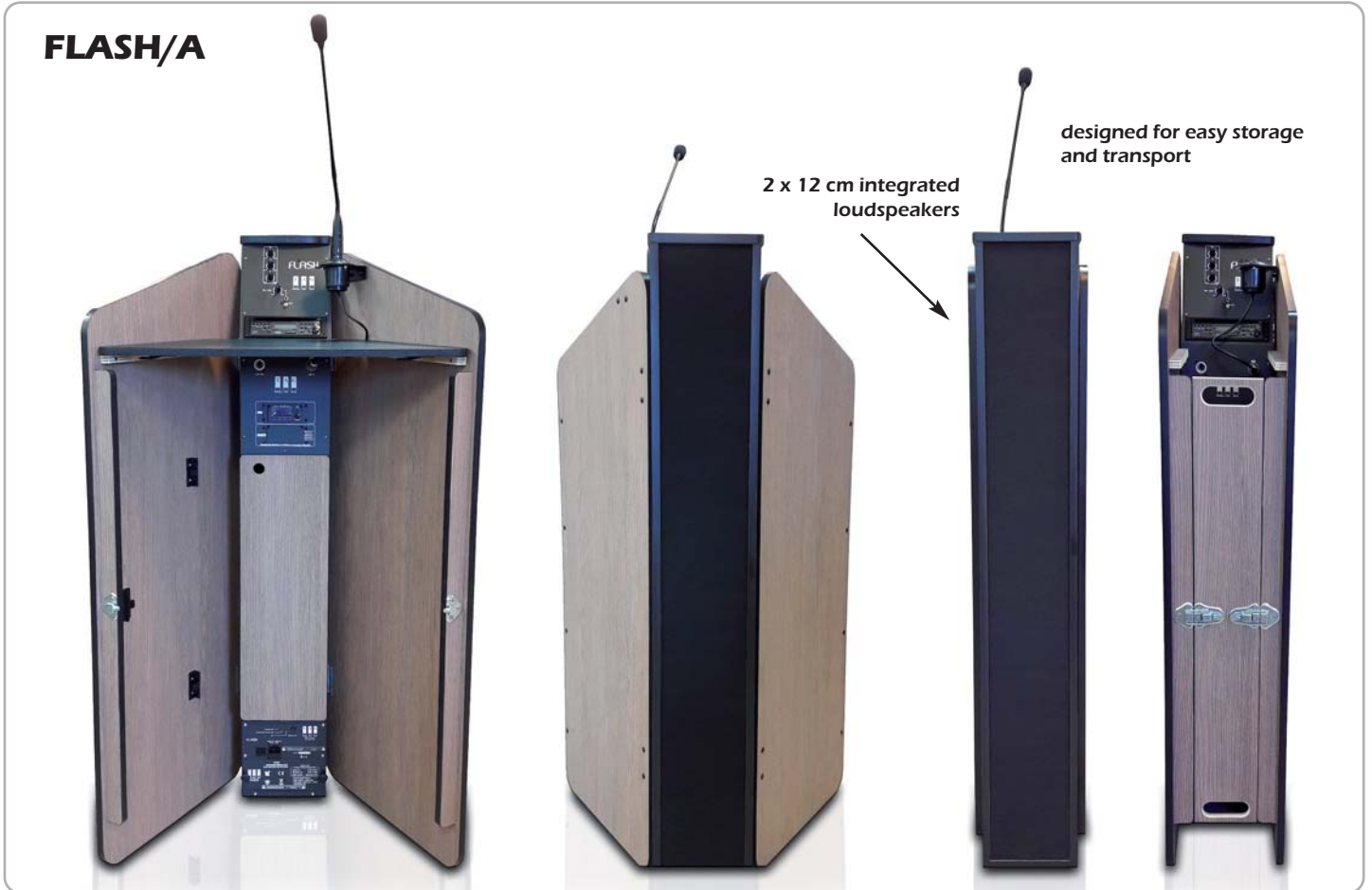


FLASH/A



**AC main and/or Battery
7 Ah - 12V (6 - 9 h)**



**2 slots for: UHF Receiver or/and
UHF Transmitter**



Storage space for accessories



**1 Slot for:
CD/USB/SD Player or a
Digital Player/ Recorder**

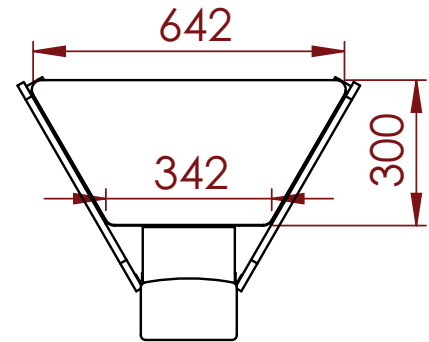


FLASH - CONFERENCE LECTERN

- Stratified Poplar Plywood
- Outside color: Pinewood
- 1 Storage space for accessories
- Folded dimensions: H 123 x L 24 x P 61 cm
- Open dimensions: H 123 x L 73 x P 55 cm - 29 kg

FLASH/A Version - 70W Amplified

- 2 x 12 cm integrated loudspeakers
- Frequency Response: 50 Hz - 20 KHz
- AC main and/or Battery 7 Ah - 12V (6 - 9 h)
- 3 Bands Equalizer
- 1 Line Input on dual RCA
- Balanced Mic Input + phantom power on 3F XLR Connector
- Line Output on XLR 3 pins connector
- 1 Gooseneck Microphone 500 mm (GM302)
- 2 Slots for a wireless receiver or transmitter
- 1 Slot for a CD/USB/SD Player



Top View

AVAILABLE VERSIONS

- FLASH** Not amplified, without loudspeaker and without microphone
- FLASH/A** 70W amplified
- FLASH/E1W** Pre-equip 1 wireless system drawer
- FLASH/E2W** Pre-equip 2 wireless system drawers

OPTIONS

T-EMSU12
Digital Audio Player
USB/SD/Bluetooth + Remote Control

RP-5100M
UHF 100 Freq. Repeater Module

SDR-8200M-IRDA
UHF 100 Freq. Receiver Module True Diversity

CD3-SUP/SV
CD/MP3/SD Player + Remote Control

FLASH/L1 (FOR FLASH/A)
FLASH/L2 (FOR FLASH)
LED Lamp (30 cm XLR 4P)

FLASH/H:
Protective bag for Flash

The optional integrated wireless system with a handheld Mic allows a person from the audience to interfere during a presentation. The wireless transmitter module links the Flash to several additional cabinets